

Novos™ 500 Single Arm

Modular Mounting System

Data Sheet

Key Features

- Simple, integrated cable management
- Easy-clean smooth surfaces
- Two lengths available
- Wide range of mounting options and accessories
- Compatible with standard systems
- OEM and custom solutions available



Description

The Novos Modular Mounting System - engineered to last

The Novos 500 Single Arm has been designed to be quickly configured with ease, ensuring that finding the correct configuration for your needs is simple and straightforward. A wide range of mounting options is available to choose from, allowing you the flexibility to customise the Novos System according to your requirements.

Novos is suitable for use in a number of situations, from general display and keyboard applications, to mounting devices or equipment from the leading medical device manufacturers.

The Novos single horizontal articulated arm features simple, integrated cable management to help keep your workspace clean and tidy.

With extensive testing and development put into the range, the Novos System has several European registered designs and two patents pending*, and is ready for deployment throughout healthcare areas.

Ease of Installation

Installation of the Novos 500 Single Arm will vary from one application to another, whether it is attached to a pole within an operating theatre, to a rail system in a dental surgery, or into wall channels in wards and treatment rooms. The Novos Modular Mounting System has a solution that will meet the specifications of medical and clinical environments.

Bytec offers fixing adapters for mounting into wall channels, poles, or European rail systems.

The entire Novos range is compatible with existing standard systems, including proprietary systems operated by different manufacturers. The Novos 500 Single Arm can also support custom fixing adapters for various areas of application, including Anaesthesia and MRI.

* UK patent application number GB1119392.7 / US patent application number 13-674.593



Horizontal Wall Channel



Quick Release Fitting



Fixed Pole Clamp

Mounting Options

With such a diversity of displays, keyboards and devices used in today's modern healthcare environments, finding the right mounting options can be daunting. The Novos range provides a comprehensive array of mounting options and accessories for every requirement.

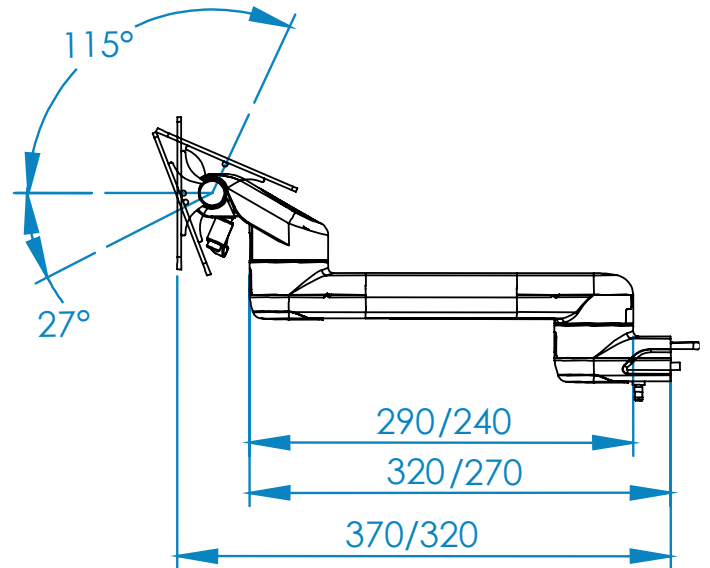
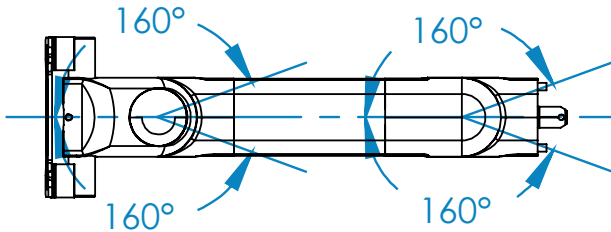
If a mounting option is not available, please contact our Technical Team, who will be able to help you with a custom solution. We can apply our expertise to provide you with a complete Novos System that includes arms, mounting options and wall channels or pole clamps.

Infection Control

The Novos 500 Single Arm has been designed to meet the rigours of today's busy healthcare environment, not only in its sleek clean lines, but in the engineering detail hidden away inside. The whole system has been engineered to meet the highest standards expected within the medical sector.

As with all Bytec healthcare products, the serious topic of infection control is high on our design brief. With the threat of "super bugs" becoming more widespread, the effectiveness of antibiotics, critically underpinning modern medical treatment, is significantly at risk.

The Novos 500 Single Arm is designed to ensure correct and simple cable management, minimising dirt traps, and providing smooth contoured surfaces for easy and quick wipe down.



All measurements are in mm

Physical Characteristics

| | |
|--|---|
| Arm Length: (excluding mounting) | 225 mm (180 mm section) 275 mm (230 mm section) |
| Material: | Aluminium and Plastic |
| Finish: | Anodised, powder-coated |
| Max Weight: | 18 kg |
| Available Colours: | White or Cool Grey (arm colour) Blue or Grey (trim colour) |

Ordering Information

| Part Number | Description |
|---------------------|---|
| NMS-XX-110-XX XX-XX | Single Horizontal Arm 180 mm section |
| NMS-XX-120-XX XX-XX | Single Horizontal Arm 230 mm section |
| NMS-00-1XX-00 01-00 | Single Horizontal Arm - model as shown on Data Sheet (Vertical Wall Channel, 45 ° VESA 75/100 mount, White with Blue trim) |